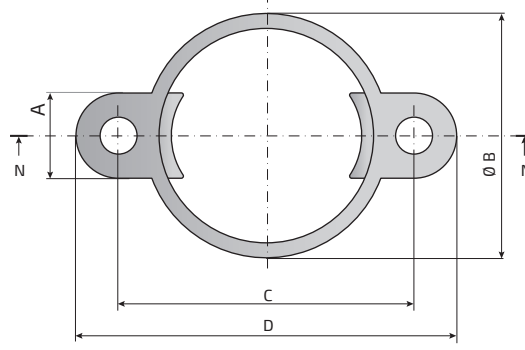
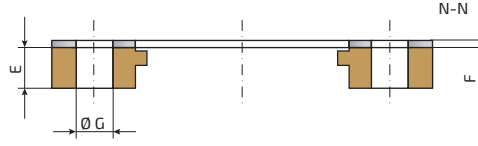


## Fixing foot brackets / Braketler ile montaj



| Model<br>Model | Reference to Standards<br>Referans standart | For models...<br>Modeller için... | A<br>mm | Ø B<br>mm | C<br>mm | D<br>mm | E<br>mm | F<br>mm | Ø G<br>mm |
|----------------|---|-----------------------------------|---------|-----------|---------|---------|---------|---------|-----------|
| STA 38         | -   | AGS500, IGS250, TGS1000           | 20      | 48        | 56.6    | 76.6    | 7       | 2.5     | 7         |
| 45             | -   | AGS750, IGS500, LGS500            | 25      | 56        | 70.7    | 95.7    | 7       | 2.5     | 9         |
| 50             | -   | AGS1000, IGS750, TGS2000          | 30      | 61        | 80      | 110     | 14.2    | 2.5     | 13        |
| 63             | -   | AGS1500, TGS3000                  | 30      | 73        | 92      | 122     | 14.2    | 2.5     | 13        |
| 75             | -   | AGS2400, IGS1500, TGS5000         | 30      | 86        | 104     | 134     | 14.2    | 2.5     | 13        |
| 95             | -   | AGS4200, IGS3000, TGS8000         | 40      | 106       | 130     | 170     | 14.2    | 2.5     | 17        |
| 120            | -   | AGS6600, IGS5000, TGS12000        | 50      | 131       | 155     | 205     | 14.2    | 2.5     | 17        |
| 150            | -   | AGS9500, IGS7500                  | 50      | 170       | 195     | 245     | 14.2    | 2.5     | 21        |

## Fixing possibilities / Montaj olasılıkları

